



MS10-12E

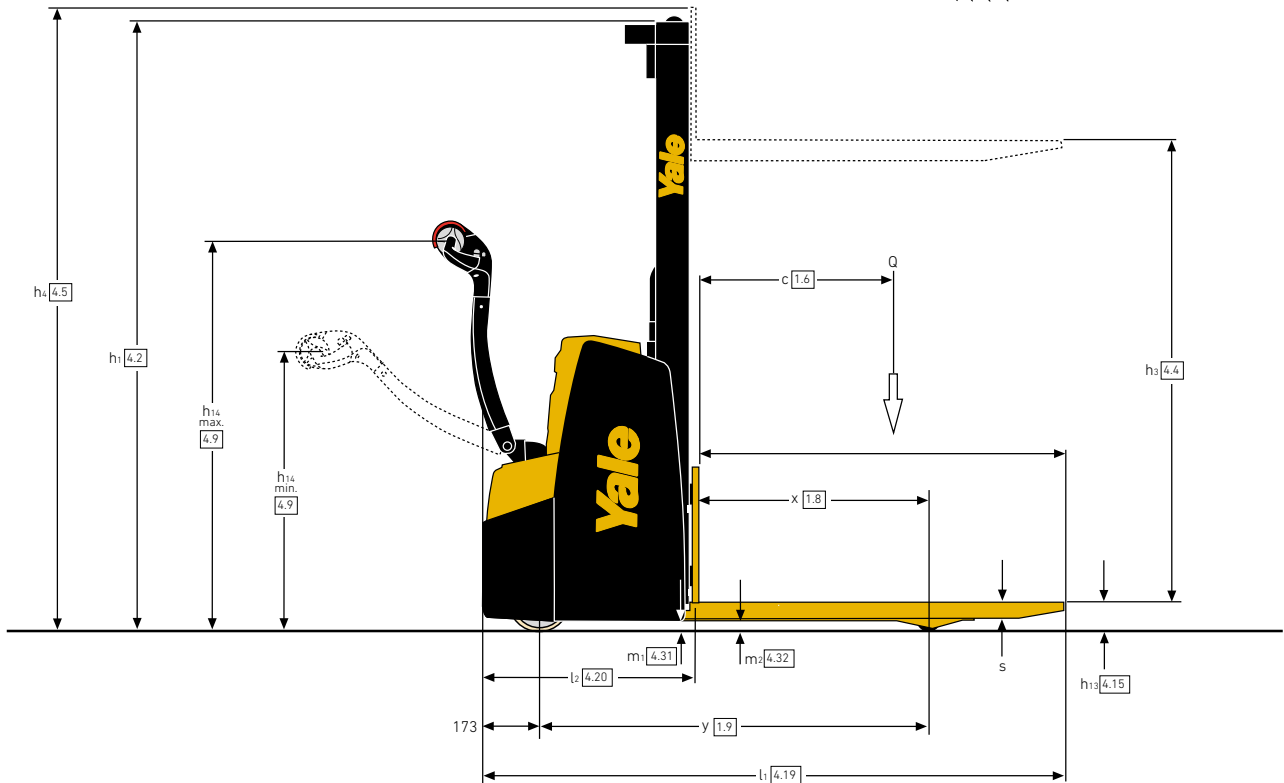
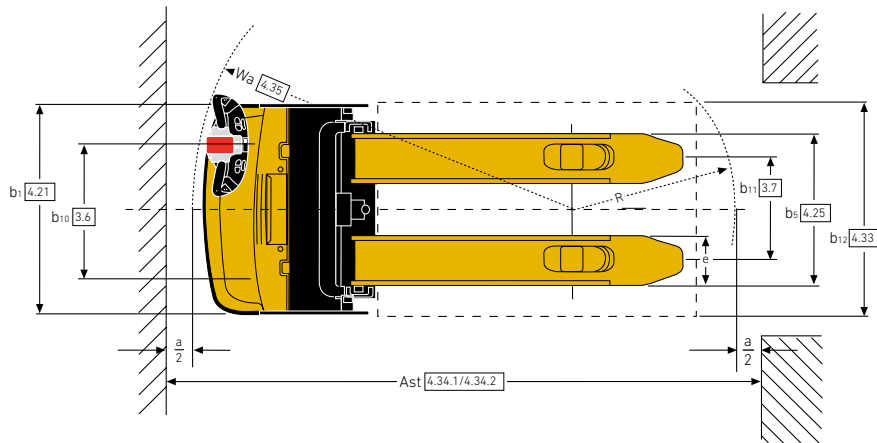
SPEC SHEET

1,000 - 1,200 kg

MSE Series

Pedestrian Stacker

TRUCK DIMENSIONS – MSE SERIES



MAST DIMENSIONS – MSE SERIES

h_3 (mm)	h_2 (mm)	$h_1^{(1)}$ (mm)	$h_4^{(2)}$ (mm)	Weight ⁽³⁾ (kg)
MS10E, MS12E 1-Stage Limited Free-Lift (LFL) Mast (Type C)				
1440	-	1900	1945	120
1640	-	2100	2145	127
1840	-	2300	2345	135
2040	-	2500	2545	142
MS10E, MS12E 2-Stage No Free-Lift (NFL) Mast (Type C)				
2380	100	1750	2890	188
2580	100	1850	3090	196
2780	100	1950	3290	203
2980	100	2050	3490	210
3180	100	2150	3690	218
3380	100	2250	3890	225
3580	100	2350	4090	233
MS12E 2-Stage No Free-Lift (NFL) Mast (Type C)				
3780	100	2450	4290	239
3980	100	2550	4490	256
4180	100	2650	4690	263

(1) With free lift of 100mm

(2) With optional load backrest value is increased of 585mm

(3) All weights are: mast structures

VDI 2198 – GENERAL SPECIFICATIONS – MSE SERIES

		Yale		
		MS10E	MS12E	
GENERAL	1.1	Manufacturer		
	1.2	Model designation		
	1.3	Drive	Electric (battery)	
	1.4	Operator type	Pedestrian	
	1.5	Rated capacity/Rated load	1.0	1.2
	1.6	Load centre distance	c (mm)	
	1.8	Load distance, centre of drive axle to fork	x (mm)	
	1.9	Wheelbase	y (mm)	
	2.1	Service weight	790	801
WEIGHT	2.2	Axle loading, laden front/rear	661 / 1129	686 / 1315
	2.3	Axle loading, unladen front/rear	568 / 223	574 / 227
TYRES	3.1	Tyres front/rear	Polyurethane	
	3.2	Tyre size, front	ø mm x mm	
	3.3	Tyre size, rear	230 x 75	
	3.4	Additional wheels (dimensions)	85 x 100	
	3.5	Wheels, number front/rear (x = driven wheels)	ø mm x mm	
	3.6	Tread, front	150 x 50	
	3.7	Tread, rear	1x + 1/ 2	
DIMENSIONS	4.2	Height, mast lowered	b ₁₀ (mm)	
	4.3	Free lift	h ₁ (mm)	
	4.4	Lift	1750	
	4.5	Height, mast extended	h ₂ (mm)	
	4.9	Height drawbar in driving position min./max.	100	
	4.15	Height, lowered	h ₃ (mm)	
	4.19	Overall length	2380	
	4.20	Length to face of forks	h ₄ (mm)	
	4.21	Overall width	2890	
	4.22	Fork dimensions ⁽⁴⁾	h ₁₄ (mm)	
	4.25	Distance between fork-arms	867 / 1223	
	4.31	Ground clearance, laden, below mast	h ₁₃ (mm)	
	4.32	Ground clearance, center of wheelbase	89	
	4.33	Load dimension b ₁₂ x l ₆ crossways	l ₁ (mm)	
	4.34.1	Aisle width for pallets 1200mm x 1000mm crossways	1815	
	4.34.2	Aisle width for pallets 800mm x 1200mm lengthwise	l ₂ (mm)	
	4.35	Turning radius	665	
PERFORMANCE	5.1	Travel speed, laden/unladen	b ₁ /b ₂ (mm)	
	5.1.1	Travel speed, laden/unladen, backwards	790	
	5.2	Lift speed, laden/unladen	s/e/l (mm)	
	5.3	Lowering speed, laden/unladen	55 / 185 / 1150	
	5.7	Gradeability, laden/unladen	b ₅ (mm)	
	5.8	Max. gradeability, laden/unladen	570	
	5.10	Service brake	m ₁ (mm)	
ELECTRIC	6.1	Drive motor, S2 60 min. rating	50	
	6.2	Lift motor S3 15% rating	m ₂ (mm)	
	6.3	Battery according to DIN 43531/35/36 A,B,C, no	29	
	6.4	Battery voltage/nominal capacity K5	b ₁₂ x l ₆ (mm)	
	6.5	Battery weight ⁽¹⁾	1000 x 1200	
	6.6	Energy consumption according to VDI cycle	Ast (mm)	
8.1	Type of drive unit	Wa (mm)		
10.7	Sound pressure level at the driver's position	1426		
PERFORMANCE	5.1	Travel speed, laden/unladen	6 / 6	
	5.1.1	Travel speed, laden/unladen, backwards	6 / 6	
PERFORMANCE	5.2	Lift speed, laden/unladen	0.13 / 0.25	0.12 / 0.25
	5.3	Lowering speed, laden/unladen	0.36 / 0.31	
PERFORMANCE	5.7	Gradeability, laden/unladen	5.8 / 15.7	5.0 / 15.5
	5.8	Max. gradeability, laden/unladen	13.8 / 24.6	12.2 / 24.0
ELECTRIC	6.1	Drive motor, S2 60 min. rating	Electromagnetic	
	6.2	Lift motor S3 15% rating	1.2	
ELECTRIC	6.3	Battery according to DIN 43531/35/36 A,B,C, no	2.2kW (S3 5%)	
	6.4	Battery voltage/nominal capacity K5	No	
ELECTRIC	6.5	Battery weight ⁽¹⁾	24V / 200Ah ⁽²⁾	24V / 200Ah ⁽³⁾
	6.6	Energy consumption according to VDI cycle	kg	
ELECTRIC	6.1	Drive motor, S2 60 min. rating	185	
	6.2	Lift motor S3 15% rating	kWh/h @ no. of cycles	
ELECTRIC	6.3	Battery according to DIN 43531/35/36 A,B,C, no	0.74	0.84
	6.4	Battery voltage/nominal capacity K5	AC-Controller	
ELECTRIC	6.5	Battery weight ⁽¹⁾	66	
	6.6	Energy consumption according to VDI cycle	dB(A)	

(1) These values may vary of +/-5%

(2) Available batteries 24V / 150Ah (144kg); 24V / 200Ah. Polypropylene case version (160kg); 24V / 150Ah. Polypropylene case version (125kg)

(3) Available batteries 24V / 200Ah. Polypropylene case version (160kg)

(4) With 2 stage mast and b₅ = 570mm, the 's' dimension increases 5mm for first 250mm at toe

All values are nominal values and they are subject to tolerances.



About Yale®

Yale Materials Handling Corporation is one of the oldest manufacturers of lift trucks in the world. We've been in the business of lifting since 1875 and we apply that experience to help customers solve materials handling challenges. Our full line of lift trucks range in capacity from 1 to 16 tonne and are powered by internal combustion engines or electric options. Yale also offers robotic solutions, telemetry, fleet management, parts, financing and training. From traditional lift truck equipment to emerging technologies, our goal, every day, is to work with our nationwide dealer network to continually improve and provide the solutions you need, when and how you need them.

MATERIALS HANDLING FOR:

- 3PL
- Auto Parts
- Beverage
- Cold & Frozen Foods
- Food Distribution
- Food Processing
- Furniture & Furnishings
- Health & Pharma
- Home Centres
- Retail
- E-Commerce

Yale Lift Truck Technologies

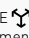
Centennial House
Frimley Business Park
Frimley
Surrey
GU16 7SG
United Kingdom

www.yale.com



Safety: All Yale products sold into EU countries, UK, and Turkey conform to the EU requirements of Machinery Directive 2006/42/EC and contain **CE** marking. Yale trucks sold into other countries may be ordered for production in conformance with Machinery Directive requirements, and when so ordered will contain **CE** marking.

HYSTER-YALE UK LIMITED trading as Yale Lift Truck Technologies. Registered Address: Centennial House, Building 4.5, Frimley Business Park, Frimley, Surrey, GU16 7SG, United Kingdom. Registered in England and Wales. Company Registration Number: 02636775.

©2023 Hyster-Yale Group, Inc., all rights reserved. YALE and YALE  are trademarks of Hyster-Yale Group, Inc. Trucks may be shown with optional equipment and/or features not available in all regions. Truck performance may be affected by the condition of the vehicle, how it is equipped and the application. Specifications are subject to change without notice.

Notice: Care must be exercised when handling elevated loads. Operators must be trained and must read, understand and follow the instructions contained in the Operating Manual. Consult your Yale® Dealer if any of the information shown is critical to your application.

Publication part no. 220991692 Rev.00 (0323DMS) EN