



ERP15-20VT

SPEC SHEET

1,500 - 2,000 kg

VT Series

Electric Forklift Trucks

VDI 2198 – GENERAL SPECIFICATIONS – VT SERIES

			Yale				
			ERP 15VT (SWB)	ERP 16VT (SWB)	ERP 16VT (MWB)	ERP 16VT (LWB)	
GENERAL	1.1	Manufacturer					
	1.2	Model designation					
	1.3	Drive	Electric (battery)				
	1.4	Operator type	Seated				
	1.5	Rated capacity/rated load	Q (t)	1.5	1.6		
	1.6	Load centre distance	c (mm)	500			
	1.8	Load distance, centre of drive axle to fork	x (mm)	326			
	1.9	Wheelbase	y (mm)	1290	1290	1386	1494
	WEIGHT	2.1	Service weight ⁽¹⁾	kg	2971	3083	
2.2		Axle loading, laden front/rear ⁽¹⁾	kg	3892 / 580	4096 / 587	4050 / 633	4056 / 802
2.3		Axle loading, unladen front/rear ⁽¹⁾	kg	1430 / 1541	1470 / 1613	1495 / 1588	1571 / 1687
TYRES	3.1	Tyres front/rear	Superelastic				
	3.2	Tyre size, front	18 x 7-8				
	3.3	Tyre size, rear	15 x 4,5-8				
	3.5	Wheels, number front/rear (x = driven wheels)	2X / 2				
	3.6	Tread, front	b ₁₀ (mm)	889			
	3.7	Tread, rear	b ₁₁ (mm)	194			
	DIMENSIONS	4.1	Tilt of mast/fork carriage forward/backward	α / β (°)	5 / 5		
4.2		Height, mast lowered	h ₁ (mm)	2230			
4.3		Free lift ⁽²⁾	h ₂ (mm)	100			
4.4		Lift ⁽²⁾	h ₃ (mm)	3320			
4.5		Height, mast extended ⁽³⁾	h ₄ (mm)	3898			
4.7		Height of overhead guard (cabin) ⁽⁴⁾	h ₆ (mm)	2070			
4.7.1		Cab height (open cab)		2085			
4.8		Seat height relating to SIP/stand height ⁽⁵⁾	h ₇ (mm)	919			
4.12		Coupling height	h ₁₀ (mm)	500			
4.19		Overall length	l ₁ (mm)	2807	2903	3011	
4.20		Length to face of forks	l ₂ (mm)	1807	1903	2011	
4.21		Overall width ⁽⁶⁾	b ₁ /b ₂ (mm)	1050 ⁽⁶⁾			
4.22		Fork dimensions ISO 2331	s/e/l (mm)	40 / 80 / 1000			
4.23		Fork carriage ISO 2328, class/type A, B		2A			
4.24		Fork carriage width ⁽⁷⁾	b ₃ (mm)	907			
4.31		Ground clearance, laden, below mast	m ₁ (mm)	70			
4.32		Ground clearance at centre of wheelbase ⁽⁸⁾	m ₂ (mm)	100			
4.33		Load dimension b ₁₂ × l ₆ crossways	b ₁₂ × l ₆ (mm)	1000 x 1200			
4.34		Aisle width predetermined load dimensions	Ast (mm)	3134	3232	3340	
4.34.1		Aisle width for pallets 1000 × 1200 crossways	Ast (mm)	3134	3232	3340	
4.34.2		Aisle width for pallets 800 × 1200 lengthways	Ast (mm)	3257	3355	3463	
4.35		Turning radius	Wa (mm)	1479	1577	1685	
4.36		Internal turning radius	b ₁₃ (mm)	0			
4.41	90° intersecting aisle (With pallet W = 1200mm, L = 1000mm)	mm	1718	1754	1798		
4.42	Step Height (from ground to running board)	mm	557				
4.43	Step Height	mm	484				
PERFORMANCE	5.1	Travel speed, laden/unladen ⁽⁹⁾	km/h	16 / 16			
	5.1.1	Travel speed, laden/unladen, backwards	km/h	16 / 16			
	5.2	Lift speed, laden/unladen	m/s	0.43 / 0.59			
	5.3	Lowering speed, laden/unladen	m/s	0.50 / 0.47			
	5.5	Drawbar pull, laden/unladen ⁽¹⁰⁾	N	3406 / 3680			
	5.6	Max. drawbar pull, laden/unladen ⁽¹¹⁾	N	11415 / 11690			
	5.7	Gradeability, laden/unladen ⁽¹²⁾	%	11 / 16			
	5.8	Max. gradeability, laden/unladen ⁽¹¹⁾	%	25 / 34	25 / 35		
	5.9	Acceleration time, laden/unladen ⁽⁹⁾	s	4.6 / 4.1			
	5.10	Service brake		Electric			
ELECTRIC	6.1	Drive motor rating S2 60 min	kW	2 x 5.0			
	6.2	Lift motor rating at S3 15%	kW	12			
	6.3	Battery according to DIN 43531/35/36 A, B, C, no		DIN 43531-A			
	6.4	Battery voltage/nominal capacity K5	(V)/(ah)	48 / 500	48 / 625	48 / 750	
	6.5	Battery weight ⁽¹³⁾	kg	673 / 743	813 / 899	962 / 1064	
	6.6	Energy consumption according to VDI cycle ⁽¹⁴⁾	kWh/h @ no. of cycles	3.9	4.2		
OTHER	8.1	Type of drive unit	Electric transmission				
	10.1	Operating pressure for attachments	bar	180			
	10.2	Oil volume for attachments ⁽¹⁵⁾	l/min	40			
	10.3	Hydraulic oil tank, capacity	l	16.8			
	10.7	Sound pressure level at the driver's seat LPAZ ⁽¹⁶⁾	dB(A)	69			
	10.8	Towing coupling, type DIN		Pin			

(1) Max. battery

(2) Bottom of forks

(3) Without load backrest

(4) h₆ subject to +/- 5mm tolerance

(5) Full suspension seat specified. Standard hood specified. 953mm with raised hood

(6) Overall width 1116mm with required 200/50-10 tyres fitted for masts 5000mm and over

(7) Add 32mm with load backrest

(8) Value shown for vertical battery removal; horizontal battery removal has 90mm of clearance at center of wheelbase

(9) HiP performance

All values are nominal values and they are subject to tolerances.

VDI 2198 – GENERAL SPECIFICATIONS – VT SERIES

		Yale										
		ERP 18VT (MWB)	ERP 18VT (LWB)	ERP 20VT (MWB)	ERP 20VT (LWB)							
GENERAL	1.1	Manufacturer										
	1.2	Model designation										
	1.3	Drive	Electric (battery)									
	1.4	Operator type	Seated									
	1.5	Rated capacity/rated load	Q (t)		1.8		2.0					
	1.6	Load centre distance	c (mm)				500					
	1.8	Load distance, centre of drive axle to fork	x (mm)				321					
	1.9	Wheelbase	y (mm)		1386		1494					
	WEIGHT	2.1	Service weight ⁽¹⁾	kg		3335		3331		3602		3436
2.2		Axle loading, laden front/rear ⁽¹⁾	kg		4496 / 640		4435 / 695		4941 / 661		4788 / 648	
2.3		Axle loading, unladen front/rear ⁽¹⁾	kg		1628 / 1707		1646 / 1685		1755 / 1847		1689 / 1747	
TYRES	3.1	Tyres front/rear	Superelastic									
	3.2	Tyre size, front	200 / 50-10									
	3.3	Tyre size, rear	15 x 4,5-8									
	3.5	Wheels, number front/rear (x = driven wheels)	2X / 2									
	3.6	Tread, front	b ₁₀ (mm)				908					
	3.7	Tread, rear	b ₁₁ (mm)				194					
	DIMENSIONS	4.1	Tilt of mast/fork carriage forward/backward	α / β (o)				5 / 5				
4.2		Height, mast lowered	h ₁ (mm)				2180					
4.3		Free lift ⁽²⁾	h ₂ (mm)				100					
4.4		Lift ⁽²⁾	h ₃ (mm)				3390					
4.5		Height, mast extended ⁽³⁾	h ₄ (mm)				4006					
4.7		Height of overhead guard (cabin) ⁽⁴⁾	h ₆ (mm)				2070					
4.7.1		Cab height (open cab)					2085					
4.8		Seat height relating to SIP/stand height ⁽⁵⁾	h ₇ (mm)				919					
4.12		Coupling height	h ₁₀ (mm)				500					
4.19		Overall length	l ₁ (mm)		2898		3006		2898		3006	
4.20		Length to face of forks	l ₂ (mm)		1898		2006		1898		2006	
4.21		Overall width ⁽⁶⁾	b ₁ /b ₂ (mm)				1116					
4.22		Fork dimensions ISO 2331	s/e/l (mm)				40 / 80 / 1000					
4.23		Fork carriage ISO 2328, class/type A, B					2A					
4.24		Fork carriage width ⁽⁷⁾	b ₃ (mm)				977					
4.31		Ground clearance, laden, below mast	m ₁ (mm)				70					
4.32		Ground clearance at centre of wheelbase ⁽⁸⁾	m ₂ (mm)				100					
4.33		Load dimension b ₁₂ × l ₆ crossways	b ₁₂ × l ₆ (mm)				1000 x 1200					
4.34		Aisle width predetermined load dimensions	Ast (mm)		3228		3336		3228		3336	
4.34.1		Aisle width for pallets 1000 × 1200 crossways	Ast (mm)		3228		3336		3228		3336	
4.34.2		Aisle width for pallets 800 × 1200 lengthways	Ast (mm)		3350		3458		3350		3458	
4.35	Turning radius	Wa (mm)		1577		1685		1577		1685		
4.36	Internal turning radius	b ₁₃ (mm)				0						
4.41	90° intersecting aisle (With pallet W = 1200mm, L = 1000mm)	mm		1776		1820		1776		1820		
4.42	Step Height (from ground to running board)	mm				557						
4.43	Step Height	mm				484						
PERFORMANCE	5.1	Travel speed, laden/unladen ⁽⁹⁾	km/h				16 / 16					
	5.1.1	Travel speed, laden/unladen, backwards	km/h				16 / 16					
	5.2	Lift speed, laden/unladen	m/s		0.41 / 0.60		0.40 / 0.58					
	5.3	Lowering speed, laden/unladen	m/s		0.46 / 0.40		0.47 / 0.40					
	5.5	Drawbar pull, laden/unladen ⁽¹⁰⁾	N		3337 / 3646		3260 / 3603		3294 / 3637			
	5.6	Max. drawbar pull, laden/unladen ⁽¹¹⁾	N		11355 / 11664		11346 / 11655		11269 / 11612		11304 / 11647	
	5.7	Gradeability, laden/unladen ⁽¹²⁾	%		10 / 15		9 / 14		9 / 15			
	5.8	Max. gradeability, laden/unladen ⁽¹¹⁾	%		23 / 35		23 / 36		31 / 34		22 / 36	
	5.9	Acceleration time, laden/unladen ⁽⁹⁾	s				4.6 / 4.1					
	5.10	Service brake					Electric					
ELECTRIC	6.1	Drive motor rating S2 60 min	kW				2x 5.0					
	6.2	Lift motor rating at S3 15%	kW				12					
	6.3	Battery according to DIN 43531/35/36 A, B, C, no					DIN 43531-A					
	6.4	Battery voltage/nominal capacity K5	(V)/(ah)		48 / 625		48 / 750		48 / 625		48 / 750	
	6.5	Battery weight ⁽¹³⁾	kg		813 / 899		962 / 1064		813 / 899		962 / 1064	
	6.6	Energy consumption according to VDI cycle ⁽¹⁴⁾	kWh/h @ no. of cycles		4.7		4.7		5.5		5.2	
OTHER	8.1	Type of drive unit					Electric transmission					
	10.1	Operating pressure for attachments	bar				180					
	10.2	Oil volume for attachments ⁽¹⁵⁾	l/min				40					
	10.3	Hydraulic oil tank, capacity	l				16.8					
	10.7	Sound pressure level at the driver's seat LPAZ ⁽¹⁶⁾	dB(A)				69					
	10.8	Towing coupling, type DIN					Pin					

(10) 60 minute rating

(11) 5 minute rating

(12) 30 minute rating

(13) Min./max.

(14) eLo performance

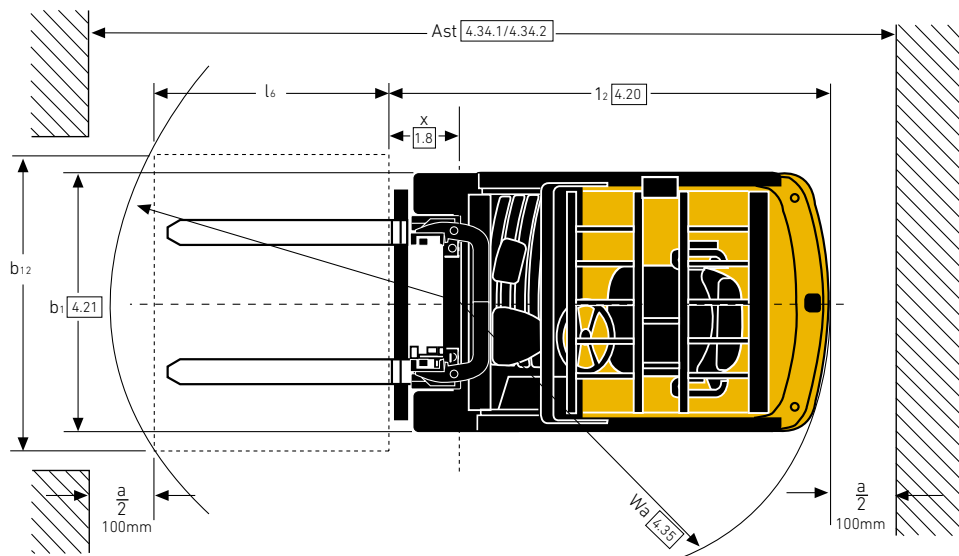
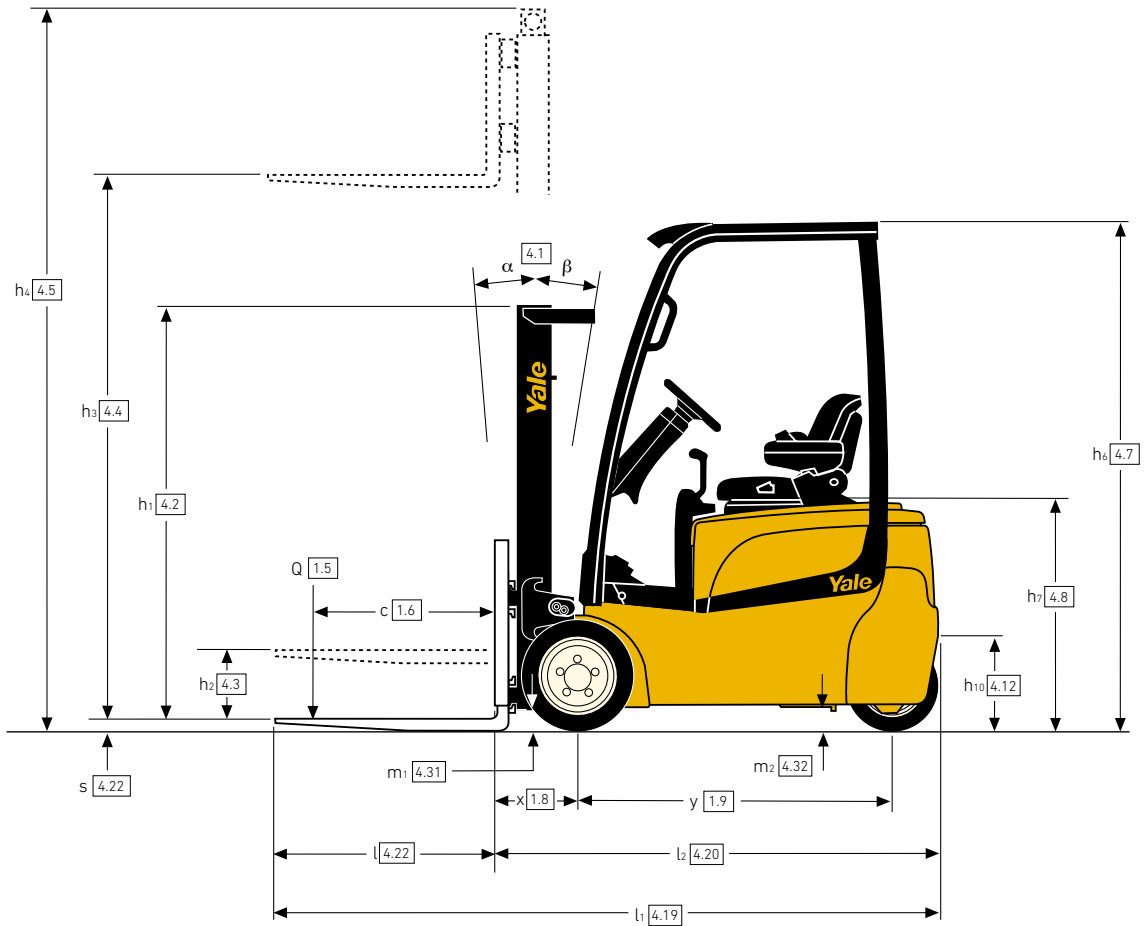
(15) Maximum flow set through dash display

(16) LPAZ, measured according to the test cycles and based on the weighting values contained in EN12053

Spec sheet truck based on: 3360mm (Clear View) and 3430mm (Hi-Vis) to top of fork, 2 stage LFL mast with standard carriage and 1000mm forks, with HIP performance setting, DIN battery configuration

TRUCK DIMENSIONS – VT SERIES

$$A_{st} = Wa + R + a = Wa + \sqrt{(l_6 + x)^2 + (b_{12}/2 - b_{13})^2} + a$$



MAST DIMENSIONS – ERP 15VT SWB

h ₁ (mm)	h _{2+s} (mm)	h _{3+s} (mm)	h ₄ (mm)	Tilt		Forks			Integral sideshift		
						Load centre (kg)			Load centre (kg)		
				F	B	500	600	700	500	600	700
2-Stage Limited Free-Lift (LFL) Clear View											
2230	140	3360	3868	5	5	1500	1300	1300	1500	1300	1250
2580	140	3860	4368	5	5	1500	1300	1300	1500	1300	1250
2830	140	4360	4868	5	5	1480	1280	1280	1480	1280	1230
3180	140	4860	5368	5	5	1390	1210	1200	1390	1210	1150
2-Stage Full Free-Lift (FFL) Hi-Vis											
2080	1505	3218	3728	5	5	1500	1300	1300	1500	1300	1250
2330	1755	3718	4228	5	5	1500	1300	1300	1500	1300	1240
2680	2105	4338	4847	5	5	1500	1300	1300	1500	1300	1240
3-Stage Full Free-Lift (FFL) Mast Clear View											
1980	1472	4300	4808	5	5	1500	1300	1300	1500	1300	1230
2080	1572	4600	5108	5	5	1450	1250	1250	1450	1250	1190
2180	1672	4900	5408	5	5	1390	1210	1200	1390	1210	1140
2330	1822	5200 ⁽¹⁾	5708	5	5	1340	1160	1150	1340	1160	1090
2430	1922	5500 ⁽¹⁾	6008	5	5	1280	1110	1100	1240	1110	1040

(1) Tilt speed reduced to 1° per second by mechanical tilt speed restrictors for mast heights 5000mm and above

All ratings with DIN Battery

All ratings with 1000mm forks and less load backrest

Note that the capacities are given in kilograms

MAST DIMENSIONS – ERP 16VT SWB/MWB

h ₁ (mm)	h _{2+s} (mm)	h _{3+s} (mm)	h ₄ (mm)	Tilt		Forks			Integral sideshift			Forks			Integral sideshift		
						Load centre (kg)			Load centre (kg)			Load centre (kg)			Load centre (kg)		
				F	B	500	600	700	500	600	700	500	600	700	500	600	700
2-Stage Limited Free-Lift (LFL) Clear View																	
2230	140	3360	3868	5	5	1600	1450	1390	1600	1450	1330	1600	1450	1450	1600	1450	1450
2580	140	3860	4368	5	5	1600	1450	1380	1600	1450	1330	1600	1450	1450	1600	1450	1450
2830	140	4360	4868	5	5	1580	1430	1360	1580	1430	1310	1580	1430	1430	1580	1430	1430
3180	140	4860	5368	5	5	1490	1350	1280	1490	1350	1230	1490	1350	1350	1490	1350	1350
2-Stage Limited Free-Lift (LFL) Hi-Vis																	
2180	140	3432	4006	5	5	1600	1450	1390	1600	1450	1320	1600	1450	1390	1600	1450	1320
2530	140	3932	4506	5	5	1600	1450	1380	1600	1450	1310	1600	1450	1380	1600	1450	1310
2780	140	4432	5006	5	5	1580	1430	1370	1580	1430	1300	1580	1430	1370	1580	1430	1300
3130	140	4932	5506	5	5	1490	1350	1280	1490	1340	1220	1490	1350	1280	1490	1340	1220
2-Stage Full Free-Lift (FFL) Hi-Vis																	
2080	1505	3218	3728	5	5	1600	1450	1400	1600	1450	1330	1600	1450	1400	1600	1450	1330
2330	1755	3718	4228	5	5	1600	1450	1390	1600	1450	1320	1600	1450	1390	1600	1450	1320
2680	2105	4338	4847	5	5	1600	1450	1380	1580	1440	1310	1600	1450	1380	1600	1450	1310
3-Stage Full Free-Lift (FFL) Clear View																	
1980	1472	4300	4808	5	5	1600	1450	1380	1590	1450	1310	1600	1450	1380	1600	1450	1310
2080	1572	4600	5108	5	5	1540	1400	1330	1540	1400	1270	1540	1400	1330	1540	1400	1260
2180	1672	4900	5408	5	5	1490	1350	1280	1490	1350	1220	1490	1350	1280	1490	1340	1220
2330	1822	5200 ⁽¹⁾	5708	5	5	1430	1300	1230	1360	1290	1170	1320	1300	1230	1250	1250	1170
2430	1922	5500 ⁽¹⁾	6008	5	5	1130	1130	1130	1070	1070	1070	1060	1060	1060	1000	1000	1000
3-Stage Full Free-Lift (FFL) Hi-Vis																	
1930	1355	4300	4875	5	5	1600	1450	1380	1590	1450	1310	1600	1450	1380	1600	1450	1310
2030	1455	4600	5175	5	5	1570	1420	1360	1550	1420	1290	1570	1420	1360	1570	1420	1290
2130	1555	4900	5375	5	5	1520	1370	1310	1510	1370	1240	1520	1370	1310	1520	1370	1240
2280	1705	5200 ⁽¹⁾	5775	5	5	1380	1320	1260	1320	1310	1190	1260	1260	1260	1200	1200	1190
2380	1805	5500 ⁽¹⁾	6075	5	5	1090	1090	1090	1030	1030	1030	1000	1000	1000	950	950	950

(1) Tilt speed reduced to 1° per second by mechanical tilt speed restrictors for mast heights 5000mm and above

All ratings with DIN Battery

All ratings with 1000mm forks and less load backrest

Note that the capacities are given in kilograms

All values are nominal values and they are subject to tolerances.

MAST DIMENSIONS – ERP 16VT LWB

h ₁ (mm)	h _{2+s} (mm)	h _{3+s} (mm)	h ₄ (mm)	Tilt		Forks			Integral sideshift		
						Load centre (kg)			Load centre (kg)		
						500	600	700	500	600	700
2-Stage Limited Free-Lift (LFL) Clear View											
2230	140	3360	3868	5	5	1600	1450	1390	1600	1450	1330
2580	140	3860	4368	5	5	1600	1450	1380	1600	1450	1330
2830	140	4360	4868	5	5	1580	1430	1360	1580	1430	1310
3180	140	4860	5368	5	5	1500	1360	1290	1500	1360	1240
2-Stage Limited Free-Lift (LFL) Hi-Vis											
2180	140	3432	4006	5	5	1600	1450	1390	1600	1450	1320
2530	140	3932	4506	5	5	1600	1450	1380	1600	1450	1310
2780	140	4432	5006	5	5	1580	1430	1370	1580	1430	1300
3130	140	4932	5506	5	5	1500	1360	1290	1500	1350	1220
2-Stage Full Free-Lift (FFL) Hi-Vis											
2080	1505	3218	3728	5	5	1600	1450	1400	1600	1450	1330
2330	1755	3718	4228	5	5	1600	1450	1390	1600	1450	1320
2680	2105	4338	4847	5	5	1600	1450	1380	1600	1450	1310
3-Stage Full Free-Lift (FFL) Clear View											
1980	1472	4300	4808	5	5	1600	1450	1370	1600	1440	1310
2080	1572	4600	5108	5	5	1550	1400	1330	1550	1400	1260
2180	1672	4900	5408	5	5	1500	1360	1280	1500	1350	1220
2330	1822	5200 ⁽¹⁾	5708	5	5	1330	1310	1230	1260	1260	1170
2430	1922	5500 ⁽¹⁾	6008	5	5	1080	1080	1080	1010	1010	1010
3-Stage Full Free-Lift (FFL) Hi-Vis											
1930	1355	4300	4875	5	5	1600	1450	1380	1600	1450	1310
2030	1455	4600	5175	5	5	1570	1420	1360	1570	1420	1290
2130	1555	4900	5375	5	5	1520	1380	1310	1520	1370	1240
2280	1705	5200 ⁽¹⁾	5775	5	5	1280	1280	1260	1210	1210	1200
2380	1805	5500 ⁽¹⁾	6075	5	5	1030	1030	1030	970	970	970

(1) Tilt speed reduced to 1° per second by mechanical tilt speed restrictors for mast heights 5000mm and above

All ratings with DIN Battery

All ratings with 1000mm forks and less load backrest

Note that the capacities are given in kilograms

MAST DIMENSIONS – ERP 18VT MWB/LWB

h ₁ (mm)	h _{2+s} (mm)	h _{3+s} (mm)	h ₄ (mm)	Tilt		Forks			Integral sideshift			Forks			Integral sideshift		
						Load centre (kg)			Load centre (kg)			Load centre (kg)			Load centre (kg)		
						500	600	700	500	600	700	500	600	700	500	600	700
2-Stage Limited Free-Lift (LFL) Hi-Vis																	
2180	140	3432	4006	5	5	1800	1600	1550	1800	1600	1470	1800	1600	1550	1800	1600	1470
2530	140	3932	4506	5	5	1800	1600	1540	1800	1600	1470	1800	1600	1540	1800	1600	1470
2780	140	4432	5006	5	5	1780	1580	1530	1780	1580	1450	1780	1580	1530	1780	1580	1450
3130	140	4932	5506	5	5	1580	1500	1440	1540	1500	1370	1580	1500	1440	1540	1500	1370
2-Stage Full Free-Lift (FFL) Hi-Vis																	
2080	1505	3218	3728	5	5	1800	1600	1560	1800	1600	1480	1800	1600	1560	1800	1600	1480
2330	1755	3718	4228	5	5	1800	1600	1550	1800	1600	1470	1800	1600	1550	1800	1600	1470
2680	2105	4338	4847	5	5	1800	1600	1540	1800	1600	1470	1800	1600	1540	1800	1600	1470
3-Stage Full Free-Lift (FFL) Hi-Vis																	
1930	1355	4300	4875	5	5	1800	1600	1540	1800	1600	1470	1800	1600	1540	1800	1600	1470
2030	1455	4600	5175	5	5	1770	1570	1520	1770	1570	1440	1770	1570	1520	1770	1570	1440
2130	1555	4900	5375	5	5	1710	1520	1470	1710	1520	1390	1710	1520	1470	1710	1520	1390
2280	1705	5200 ⁽¹⁾	5775	5	5	1650	1470	1410	1650	1470	1340	1650	1470	1410	1650	1470	1340
2380	1805	5500 ⁽¹⁾	6075	5	5	1590	1410	1350	1550	1410	1290	1440	1410	1350	1370	1370	1280

(1) Tilt speed reduced to 1° per second by mechanical tilt speed restrictors for mast heights 5000mm and above

All ratings with DIN Battery

All ratings with 1000mm forks and less load backrest

Note that the capacities are given in kilograms

MAST DIMENSIONS – ERP 20VT MWB/LWB

h ₁ (mm)	h _{2+s} (mm)	h _{3+s} (mm)	h ₄ (mm)	Tilt		Forks			Integral sideshift			Forks			Integral sideshift		
				F	B	Load centre (kg)			Load centre (kg)			Load centre (kg)			Load centre (kg)		
						500	600	700	500	600	700	500	600	700	500	600	700
2-Stage Limited Free-Lift (LFL) Hi-Vis																	
2180	140	3432	4006	5	5	2000	1800	1700	1990	1780	1620	2000	1800	1700	1990	1780	1610
2530	140	3932	4506	5	5	2000	1800	1690	1980	1780	1610	2000	1800	1690	1980	1770	1610
2780	140	4432	5006	5	5	1980	1780	1680	1950	1760	1590	1980	1780	1670	1950	1760	1590
3130	140	4932	5506	5	5	1570	1570	1570	1520	1520	1510	1560	1560	1560	1520	1520	1500
2-Stage Full Free-Lift (FFL) Hi-Vis																	
2080	1505	3218	3728	5	5	2000	1800	1710	2000	1790	1620	2000	1800	1700	2000	1790	1620
2330	1755	3718	4228	5	5	2000	1800	1700	1990	1790	1620	2000	1800	1700	1990	1780	1610
2680	2105	4338	4847	5	5	2000	1800	1690	1960	1780	1610	2000	1800	1690	1980	1770	1610
3-Stage Full Free-Lift (FFL) Hi-Vis																	
1930	1355	4300	4875	5	5	2000	1800	1690	1970	1780	1610	2000	1800	1690	1980	1770	1610
2030	1455	4600	5175	5	5	1970	1770	1670	1930	1750	1580	1970	1770	1660	1950	1740	1580
2130	1555	4900	5375	5	5	1780	1720	1620	1720	1700	1540	1910	1710	1610	1880	1690	1530
2280	1705	5200 ⁽¹⁾	5775	5	5	1490	1490	1490	1440	1440	1440	1670	1660	1550	1600	1590	1470
2380	1805	5500 ⁽¹⁾	6075	5	5	1250	1250	1250	1200	1200	1200	1420	1420	1410	1360	1360	1350

(1) Tilt speed reduced to 1° per second by mechanical tilt speed restrictors for mast heights 5000mm and above

All ratings with DIN Battery

All ratings with 1000mm forks and less load backrest

Note that the capacities are given in kilograms

All values are nominal values and they are subject to tolerances.



About Yale®

Yale Materials Handling Corporation is one of the oldest manufacturers of lift trucks in the world. We've been in the business of lifting since 1875 and we apply that experience to help customers solve materials handling challenges. Our full line of lift trucks range in capacity from 1 to 16 tonne and are powered by internal combustion engines or electric options. Yale also offers robotic solutions, telemetry, fleet management, parts, financing and training. From traditional lift truck equipment to emerging technologies, our goal, every day, is to work with our nationwide dealer network to continually improve and provide the solutions you need, when and how you need them.

MATERIALS HANDLING FOR:

- 3PL
- Auto Parts
- Beverage
- Cold & Frozen Foods
- Food Distribution
- Food Processing
- Furniture & Furnishings
- Health & Pharma
- Home Centres
- Retail
- E-Commerce

Yale Lift Truck Technologies

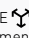
Centennial House
Frimley Business Park
Frimley
Surrey
GU16 7SG
United Kingdom

www.yale.com



Safety: All Yale products sold into EU countries, UK, and Turkey conform to the EU requirements of Machinery Directive 2006/42/EC and contain **CE** marking. Yale trucks sold into other countries may be ordered for production in conformance with Machinery Directive requirements, and when so ordered will contain **CE** marking.

HYSTER-YALE UK LIMITED trading as Yale Lift Truck Technologies. Registered Address: Centennial House, Building 4.5, Frimley Business Park, Frimley, Surrey, GU16 7SG, United Kingdom. Registered in England and Wales. Company Registration Number: 02636775.

©2023 Hyster-Yale Group, Inc., all rights reserved. YALE and YALE  are trademarks of Hyster-Yale Group, Inc. Trucks may be shown with optional equipment and/or features not available in all regions. Truck performance may be affected by the condition of the vehicle, how it is equipped and the application. Specifications are subject to change without notice.

Notice: Care must be exercised when handling elevated loads. Operators must be trained and must read, understand and follow the instructions contained in the Operating Manual. Consult your Yale® Dealer if any of the information shown is critical to your application.

Publication part no. 220991844 Rev.00 (0323DMS) EN